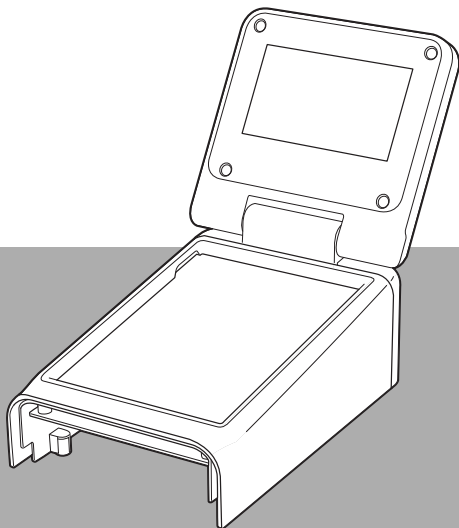


# Quick Setup Guide

## PA-TDU-001 Touch Panel Display



Before using this printer, be sure to read this Quick Setup Guide.

We suggest that you keep this manual in a handy place for future reference.

Please visit us at <http://support.brother.com/> where you can get product support and answers to frequently asked questions (FAQs).

# Safety Precautions



## WARNING

Indicates a potentially hazardous situation which, if not avoided, could result in death or serious injuries.

- Keep out of the reach of children, particularly infants. Otherwise, injuries may result.

## IMPORTANT

Indicates a potentially hazardous situation which, if not avoided, may result in damage to property or loss of product functionality.

- Place the printer on a stable surface, such as a level desk, before installing or removing the touch panel display.
- Press touch panel keys with the tip of your finger. Using a fingernail, mechanical pencil, screwdriver or any other sharp or hard object on the touch panel may damage it.
- Do not press touch panel keys with more force than necessary. Otherwise, damage may result.
- Be careful not to scrape or scratch the surface of the touch panel or display with a hard object.
- When moving the printer, do not carry it by the touch panel or the display.
- When installing the touch panel display onto the printer, do not allow the cord to be squashed. Otherwise, damage or malfunctions may result.
- Before opening the RD Roll compartment top cover, close the LCD.
- Do not drop the printer or subject it to strong shocks.
- Wipe any dust or dirt from the printer with a soft, dry cloth. Wiping it with a moistened cloth may damage it.

## Symbols Used in This Document

The following symbols are used throughout this document.



This symbol indicates information or directions that should be followed. Ignoring them may result in damage or failed operations.

## NOTE

This symbol indicates notes that provide information or directions that can help you better understand and use the product more efficiently.

# Regulation

## Federal Communications Commission (FCC) Declaration of Conformity (For USA Only)

---

Responsible Party: Brother Mobile Solutions, Inc.  
100 Technology Drive Suite 250A  
Broomfield, CO 80021 U.S.A.  
Tel: (303) 460-1600

Product Name: Touch Panel Display  
Model Number: PA-TDU-001

This device complies with Part 15 of the FCC Rules. Operation is subject to the following two conditions: (1) this device may not cause harmful interference, and (2) this device must accept any interference received, including interference that may cause undesired operation.

This equipment has been tested and found to comply with the limits for a Class B digital device, pursuant to Part 15 of the FCC Rules. These limits are designed to provide reasonable protection against harmful interference in a residential installation. This equipment generates, uses, and can radiate radio frequency energy and, if not installed and used in accordance with the instructions, may cause harmful interference to radio communications. However, there is no guarantee that interference will not occur in a particular installation. If this equipment does cause harmful interference to radio or television reception, which can be determined by turning the equipment off and on, the user is encouraged to try to correct the interference by one or more of the following measures:

- Reorient or relocate the receiving antenna.
- Increase the separation between the equipment and receiver.
- Connect the equipment into an outlet on a circuit different from that to which the receiver is connected.
- Consult the dealer or an experienced radio/TV technician for help.
- This transmitter must not be co-located or operated in conjunction with any other antenna or transmitter.

### Important

- The enclosed interface cable should be used in order to ensure compliance with the limits for a Class B digital device.
- A shielded interface cable should be used in order to ensure compliance with the limits for a Class B digital device.
- Changes or modifications not expressly approved by Brother Mobile Solutions, Inc. could void the user's authority to operate the equipment.

## Declaration of Conformity (Europe only)

We, Brother Industries, Ltd.

15-1, Naeshiro-cho, Mizuho-ku, Nagoya 467-8561 Japan

declare that this product is in conformity with the essential requirements of all relevant directives and regulations applied within the European Community.

The Declaration of Conformity (DoC) can be downloaded from our website.

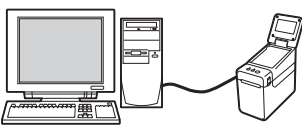
Visit <http://support.brother.com/> and:

- > select "Europe"
- > select your country
- > select your model
- > select "Manuals" and your language, then click "Search"
- > select Declaration of Conformity
- > click "Download".

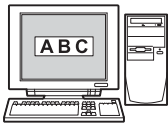
Your Declaration will be downloaded as a PDF file.

## Printing With the Touch Panel Display

Follow the procedure below to print by using the touch panel display. Carefully read all information on the indicated pages.

1. Preparation		
	<p>Install the touch panel display onto the printer. Connect the printer to the computer, and then use the included CD-ROM to install the printer driver and software. Specify the desired settings for the touch panel display, and then load labels into the printer to complete its preparation.</p>	
	Related Topics	Page Reference
	■ <i>General Description</i>	page 5
	■ <i>Attaching the Touch Panel Display</i>	page 5
	• <i>Installing the Time/Date Battery</i>	page 7
	■ <i>Installing the Printer Driver and Software</i>	User's Guide
	■ <i>LCD</i>	page 8
	• <i>Screen</i>	page 8
	■ <i>Touch Panel</i>	page 9
• <i>Information About Replacing the Touch Panel</i>	page 10	
■ <i>Touch Panel Display Settings</i>	page 12	
• <i>Specifying Settings From the Touch Panel Display</i>	page 12	
■ <i>Inserting the RD Roll</i>	User's Guide	

## 2. Create a label layout.



From the computer, use P-touch Editor 5.0, which is included on the CD-ROM, to create a label layout.

### Related Topics

### Page Reference

#### ■ *Creating a Label Layout*

- *Creating a Template*
- *Linking a Database to a Template*
- *Printing a Different Date/Time Than the Printer's Internal Clock*

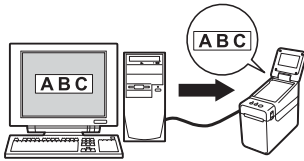
page 15

page 15

page 17

page 24

## 3. Transfer the label layout to the printer.



Use P-touch Transfer Manager to transfer the created label layout from the computer to the printer.

### Related Topics

### Page Reference

#### ■ *Transferring the Label Layout to the Printer*

- *Selecting the Touch Panel*
- *Selecting the Data Assigned to Keys on the One-Touch Panel*
- *Creating a One-Touch Panel*

page 18

page 19

page 19

page 20

## 4. Print the label.



Use the touch panel of the touch panel display to print the label.

### Related Topics

### Page Reference

#### ■ *Printing the Label*

- *Printing Using the Basic Control Panel*
- *Printing Using the One-Touch Panel*

page 21

page 21

page 23

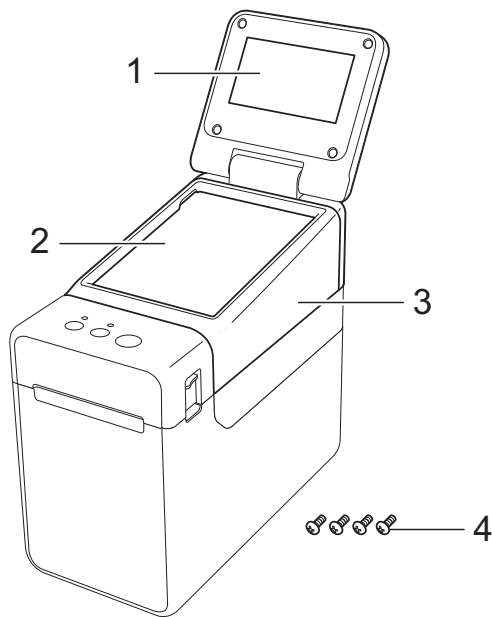
#### ■ *Label Layouts on the Printer (Checking, Deleting and Log)*

page 25

#### ■ *Frequently Asked Questions*

page 25

## General Description



### 1 LCD

### NOTE

A protective clear plastic sticker is placed over the LCD during manufacturing and shipping. This sticker should be removed prior to use.

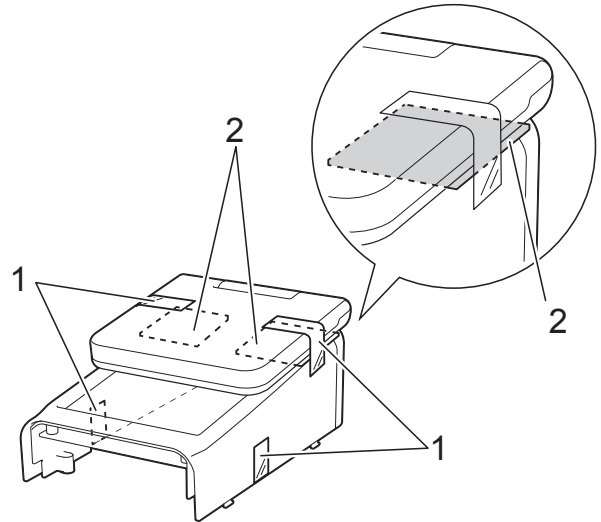
### 2 Touch panel

### 3 TDU Panel cover

### 4 Bind Screw M2.6 × 6mm

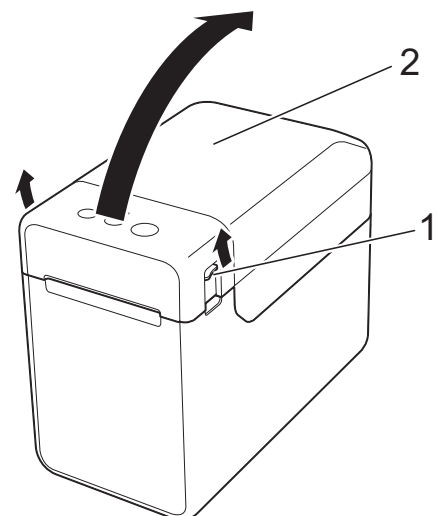
## Attaching the Touch Panel Display

- 1 Remove the tapes (1) and protective materials (2) before use.



- 2 Press and hold the  $\text{\textcircled{P}}$  (Power) button to turn the printer off, and then disconnect the printer from the AC power outlet. If the rechargeable Li-ion battery (optional) is being used, remove the rechargeable battery.

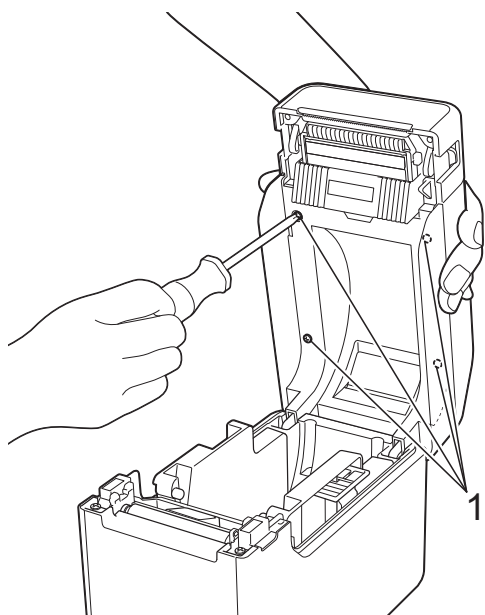
- 3 Press the cover release lever (1) on either side and lift up to open the RD Roll compartment top cover.



### 1 Cover release lever

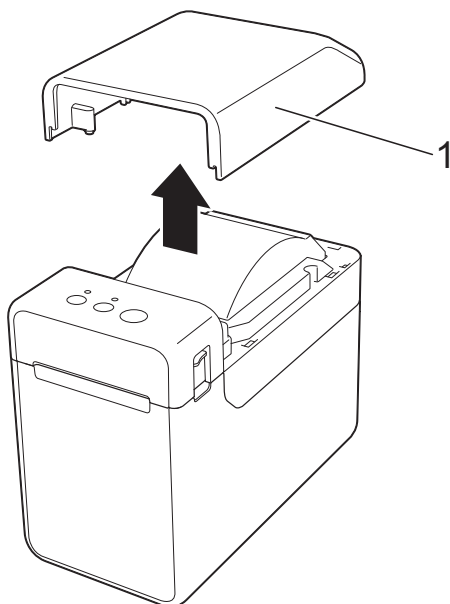
### 2 Top cover

- 4 While holding the RD Roll compartment top cover securely, use a screwdriver to remove the four screws (1).

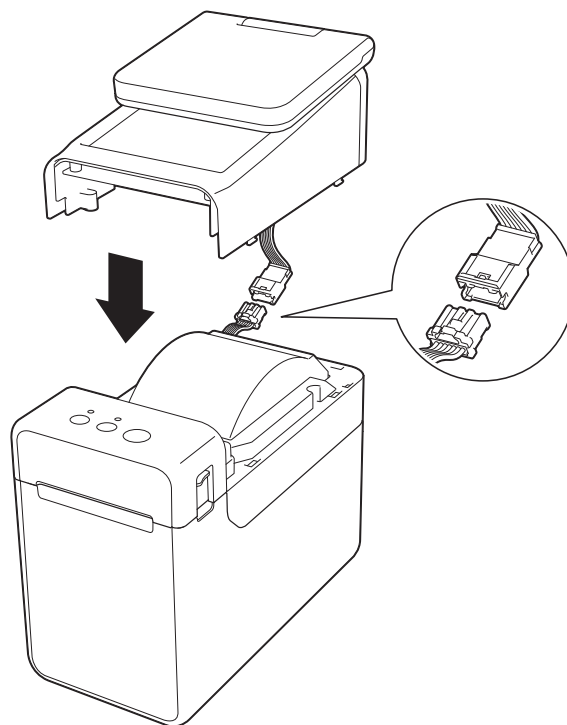


**!** Be careful not to allow the top cover to fall when the four screws are removed.

- 5 Close the RD Roll compartment top cover, and then remove the top cover (1).

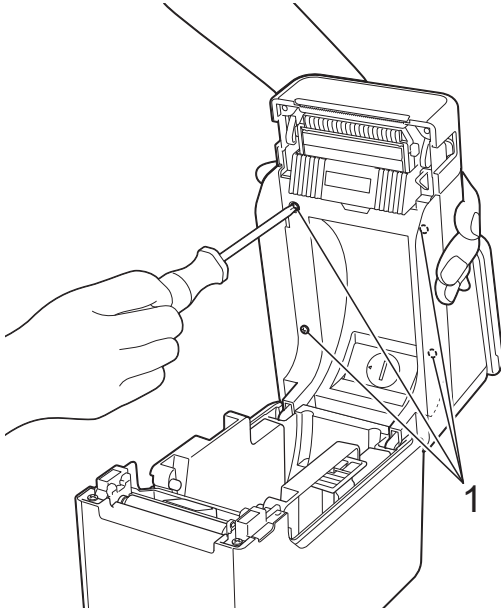


- 6 Plug the connector on the touch panel display into the connector on the printer. Insert the four tabs on the touch panel display into place on the printer.



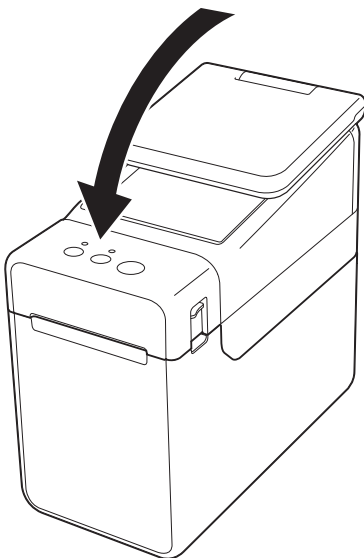
**!** Be careful that the connector cords are not trapped by the cover. In addition, if the cords are caught between the screw holes, the cords may be damaged when the screws are tightened.

- 7 While holding the touch panel display securely, open the RD Roll compartment top cover. Secure the touch panel display with the four screws (1) included as accessories to attach the touch panel display to the printer.



Be sure to use the screws included with the touch panel display. The screws previously installed in the printer are a different shape.

- 8 Close the RD Roll compartment top cover by pressing down on the centre, until it clicks into place.

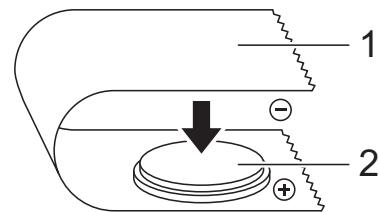


## Installing the Time/Date Battery

A time/date battery is provided as an accessory to be used for backing up the touch panel display time. The battery will maintain the settings for the internal clock. The battery will be consumed even if the printer is not used for a long period of time.

- Only use recommended batteries in the printer. Other batteries may cause damage to the printer.
- Dispose of the battery at an appropriate collection point, not in the general waste stream. In addition, be sure to observe all applicable federal, state, and local regulations.
- When storing or discarding the battery, wrap it (for example with cellophane tape), to prevent it from short-circuiting.


(Battery insulation example)




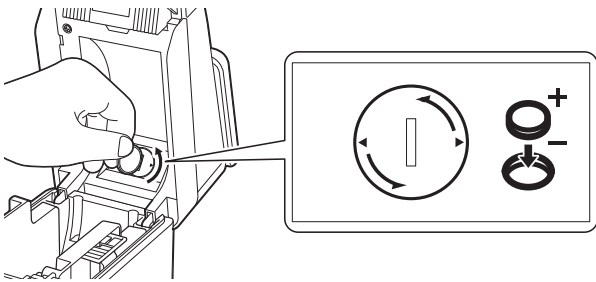
- 1 Cellophane tape
- 2 Time/Date Battery

- We recommend replacing the battery every two years.
- If the clock is reset while power is supplied to the printer, replace this battery. When replacing the lithium battery, purchase a CR2032 battery (recommended manufacturers: Hitachi Maxell, Ltd., FDK Corporation, Panasonic Corporation, Sony Corporation, Toshiba Corporation and VARTA Microbattery Inc.).




- 1 Press and hold the  (Power) button to turn the printer off, and then disconnect the printer from the AC power outlet. If the rechargeable Li-ion battery (optional) is installed, remove the rechargeable battery.
- 2 Press the cover release lever on either side and lift up to open the RD Roll compartment top cover.
- 3 Using a coin or similar object, slowly turn the time/date battery cover in the direction of the arrow on the battery cover until it stops, and then remove the time/date battery cover.

 If the time/date battery cover is forcibly turned past the stop position, it may be damaged.

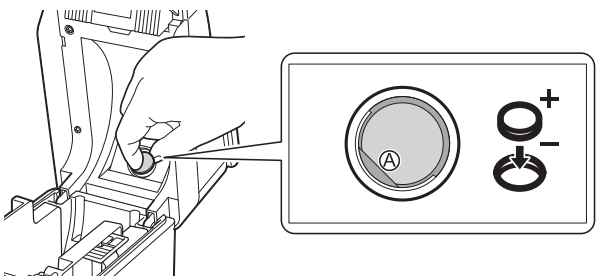


- 4 Install the battery.


 Be sure to insert the new battery with the + and – sides facing the correct direction.

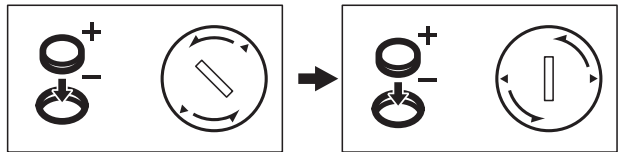
## NOTE

When removing the battery, press part A, shown below, to release the battery so that it can easily be removed.




- 5 Return the time/date battery cover to its original position, and then use a coin or similar object to slowly turn the time/date battery cover in the opposite direction of the arrow on the battery cover until it stops in order to install the time/date battery cover.

 If the time/date battery cover is forcibly turned past the stop position, it may be damaged.



- 6 Close the RD Roll compartment top cover. Press down until it snaps into place.

## NOTE

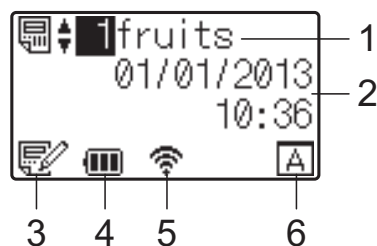
The time and date can be configured from the  (admin key) on the touch panel. For details, see the User's Guide included on the CD-ROM.

## LCD

Lift up the LCD, and then adjust it to an angle so that the screens are visible. If the screen is dark and hard to read, the backlight can be turned on. For details, see *Specifying Settings From the Touch Panel Display* on page 12.

## Screen

When the printer is turned on, the main screen appears.




## 1 Template name and number

Displays the number and name of the selected template.

## 2 Time and date

Displays the current time and date. For details on specifying the clock settings, see the User's Guide included on the CD-ROM.


## 3 Template editing indicator

When a template is being edited using the touch panel display,  appears.


## 4 Battery level display


When the rechargeable Li-ion battery (optional) is being used, the remaining charge is indicated.

If you continue to use the printer while the battery has a low charge, the message "Recharge Battery!" appears, and the printer may run out of power, even while printing.

 : Full charge

 : Half

 : Low charge


 : Charging

## 5 Indicators for available wireless interfaces

If wireless connection settings have been specified, the marks for the available interfaces appear.


 : Bluetooth


 : Wireless LAN

(The connection status is shown at four different levels, and  appears when there is no connection.)

## 6 Touch panel setting

Displays whether the touch panel display has been set for touch panel A or B.

 : Basic control panel (A)

 : One-touch panel (B)

# Touch Panel

There are two touch panels: the basic control panel (A) and the one-touch panel (B). Either can be selected for use.

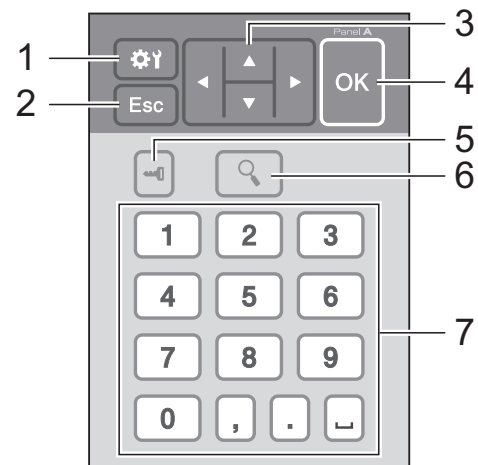
Press a key on the touch panel to perform an operation.

If a label layout has been assigned in advance to a key on the one-touch panel, a label can easily be printed simply by pressing the key of the corresponding label.

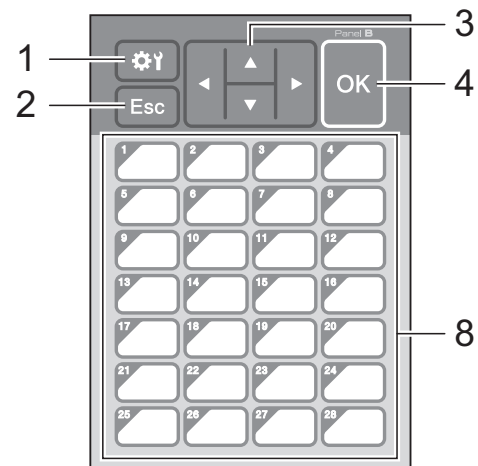


Do not press on the touch panel with a sharp object. Otherwise, the touch panel may be damaged.

## Basic control panel (A)



## One-touch panel (B)



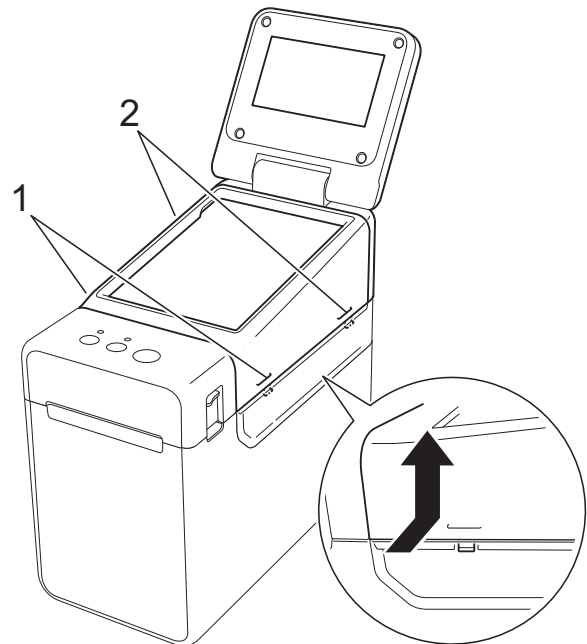
- 1 **⚙️ (settings key)**  
Specify settings for the various parameters.
- 2 **Esc (escape key)**  
Returns to the previous operation. Holding down this key for at least 1 second returns to the main screen.
- 3 **▲ / ▼ / ◀ / ▶**  
Changes what is displayed, or increases/decreases values. Holding down this key quickly changes what is displayed or increases/decreases values by 10.
- 4 **OK key**  
Applies the operation or setting.
- 5 **🔑 (admin key)**  
Specify basic settings for using the touch panel display.
- 6 **🔍 (search key)**  
Displays the contents of the selected template. The contents of the database linked to the template can also be checked.
- 7 **Numeric keys**  
Type in the template number or database record number. These can also be used to edit values in the label layout.
- 8 **One-touch keys**  
Select the label to be printed.

## NOTE

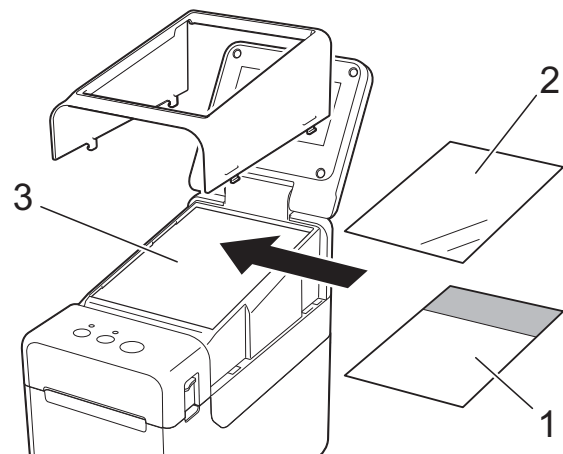
The touch panel name (A or B) is printed in the upper-right corner of the touch panel. Make sure that the specified touch panel name, which appears in the main screen on the LCD, matches the name of the touch panel that is being used.

## Information About Replacing the Touch Panel

- 1 The TDU panel cover is attached with four tabs. While pressing the two tabs (1) at the front, slide the cover up and unhook the tabs. Then, press the two tabs (2) at the back to unhook the tabs in the same way.



- 2 Remove the TDU panel cover, and place the touch panel (1) to be used, then the clear protective sheet (2) on the touch panel holder (3).



Since foreign material, such as dust, caught between the touch panel, protective sheet and touch panel holder may cause a malfunction. Make sure that no foreign material is attached.

- 3 Install the TDU panel cover in its original position.



When the touch panel is replaced, the setting for the touch panel display must be changed. For details, see *Selecting the Touch Panel* on page 19.

# Touch Panel Display Settings

The settings for the touch panel display can be specified either by using the touch panel, or by using a tool on a computer connected to the printer. For details on connecting the printer to a computer and specifying the settings, see the User's Guide included on the CD-ROM.

## Specifying Settings From the Touch Panel Display

Press [⚙️] (settings key) or [Admin] (admin key) to display the menu screen. Press [▲] or [▼] to select a parameter, and then press [OK].


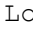
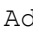



- 1 The scroll bar indicates the first parameter with the up arrow, and the last parameter with the down arrow. If the last parameter is selected, pressing [▼] scrolls to the first parameter. If the first parameter is selected, pressing [▲] scrolls to the last parameter.
- 2 The currently selected parameter is highlighted.

With the touch panel display attached to the printer, the following settings can be specified.

Key	Parameter	Settings	Description
⚙️ (settings key)	Print Density	-5/-4/-3/-2/-1/0/+1/+2/+3/+4/+5	Adjust the printer's printing density.
	Confirm Print	On/Off	Select whether a message appears before printing so that the number of copies can be confirmed.
	Text Direction	Normal/Inverted 180°	Select the printing orientation.
	Exit Position	Tear/Peeler	Select the media exit location.
	Backlight	On/Off	Select whether the LCD backlight is turned on.
	LCD Contrast	+2/+1/0/-1/-2	Select the LCD contrast.
	Beeper	On/Off	Select whether the printer beeps when a touch panel key is pressed.
	Set Panel	A/B	Select which touch panel will be used.


Key	Parameter		Settings	Description
☰ (admin key) <sup>1</sup>	Setup	Keys Function	Template/ Database	Select the type of data assigned to keys on the one-touch panel. To assign templates, select [Template]. To assign databases linked to a single template, select [Database].
		Serialize Mode	Cont from Last/From Starting#	Select whether or not to serialize from the last number printed.
		Default Print#	1-999	Set the default number of copies that appears when printing.
		Set Clock	<b>Default:</b> 2013/01/01 24h 00:00	Set the time and date for the touch panel display.
		Time&Date Form	Date Format: 1/31/2099, 01/31/2099, 31/1/2099, 31/01/2099, 31.1.2099, 31.01.2099, 31-1-2099, 31-01-2099, 2099/1/31, 2099/01/31, 2099-1-31, 2099-01-31	Select the date format for the clock.
			Time Format: 01:59 (24), 1:59 (24), 1:59AM, 01:59AM	Select the time format for the clock.
		☑ Language	Dansk/Deutsch/ English/Español/ Français/Italiano/ Nederlands/Norsk/ Português/Suomi/ Svenska/日本語	Select the language of the touch panel display.
		Unit	inch/mm	Select the measurement units for displayed settings.
		Print# <sup>2</sup>	From Starting#/ Cont From Last	Select whether or not the number of copies set from the TDU, remains set after the copies are printed.  This TDU setting is applied until the printer is turned off.
		Bar Code <sup>2</sup>	With Margins/ No Margins	Select whether or not margins are added around barcodes.
DB search <sup>2</sup>	By Line#/By Data	When using a template with a linked database, select whether to search for database records by their line number or by their data.		
Set Temp Time <sup>2</sup>	Default Time/ Cont From Last	When directly entering the date/time to be printed, select whether or not the entered date/time remains set after the copies are printed.  This setting is applied until the printer is turned off.		

Key	Parameter		Settings	Description
 (admin key) <sup>1</sup> (Continued)	Security	Disable Edit	On/Off	Select whether or not label layouts can be edited.
		Lock Settings	On/Off	Allow or disable setting changes for  (settings key).
		Admin Password	On/Off	Set password access for  (admin key).
			Enter Password: **** (4 digits)	Type in the 4-digit password.
	Configuration	Printer/ProgVer/ FontVer/Memory	Displays the model name, firmware version, font version and amount of built-in memory.	

<sup>1</sup>  (admin key) can be accessed only when touch panel A (basic control panel) is set.

<sup>2</sup> This function is available with firmware version 1.04 or later.  
 The newest version can be downloaded from the support website (Brother Solutions Center).  
<http://support.brother.com/>

## NOTE

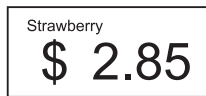
- Some settings may differ depending on the firmware (printer software).
- A password can be specified so that basic settings specified by pressing  (admin key) cannot easily be accessed. For details on specifying the settings, see the User's Guide included on the CD-ROM.
- If you do not remember the password, use **[Device settings]** in the **"Printer Setting Tool"** to return all settings to their factory defaults or specify the password again and apply it. For details, see the User's Guide included on the CD-ROM.
- If you want to reset the settings, use **[Device settings]** in the **"Printer Setting Tool"** to return all settings to their factory defaults. For details, see the User's Guide included on the CD-ROM.

# Creating a Label Layout

From the computer, use P-touch Editor 5.0, which is included on the CD-ROM, to create a label layout. For details on using it, see the Software User's Guide, included on the same CD-ROM.

## Creating a Template

- Label sample

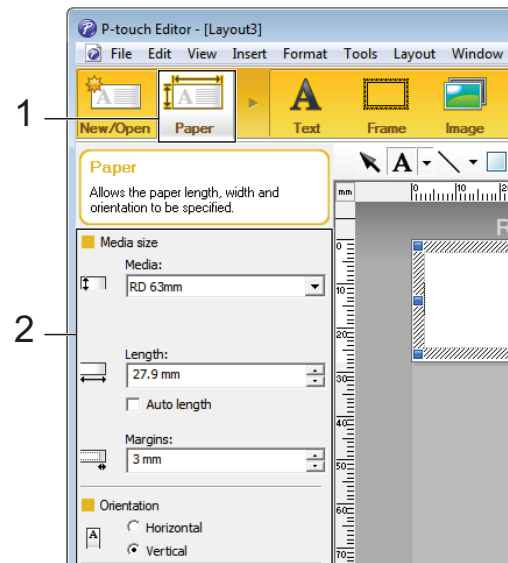


- 1 For Windows® XP/Windows Vista®/Windows® 7:  
From the Start menu, click **[All Programs] - [Brother P-touch] - [P-touch Editor 5.0]**.

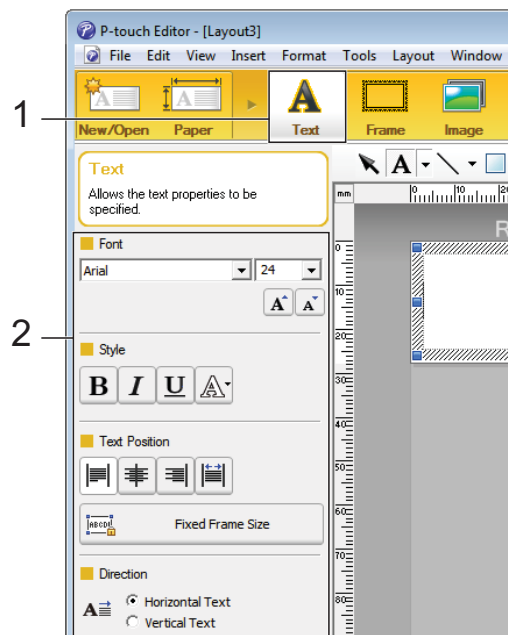
For Windows® 8:  
Click **[P-touch Editor 5.0]** in the **[Start]** or **[Apps]** screen, or double-click **[P-touch Editor 5.0]** on the desktop.

- 2 When the **[New/Open]** dialog box appears, select the various options to set the printer to be used and the size of label to be created.

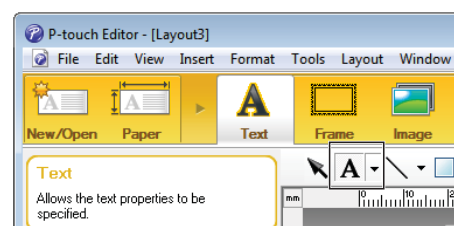
- 3 Click **[Paper]** (1), and then specify the media and length (2). (This window appears in **[Express]** mode.)



- 4 Click **[Text]** (1), and then specify the font and style (2).



- 5 Clicking **A** displays the cursor so text can be typed in.





- 6 After inserting the text, click the text box to move it within the template.
- 7 Repeat steps 5 and 6 to enter text and arrange the layout.  
After entering text, click **[File] - [Save as]** on the menu bar, and then specify the file name for saving the data.

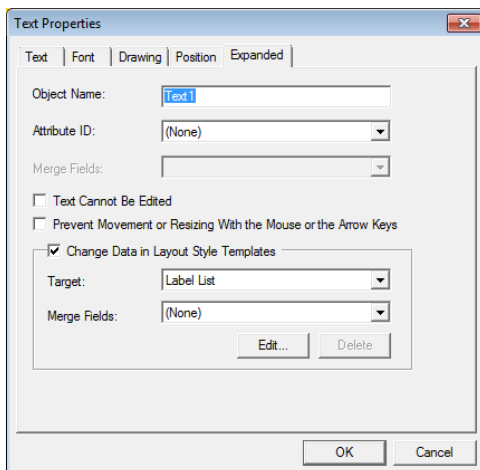
## NOTE

The first ten characters of the file name will appear on the LCD as the template name when the touch panel display is used.

## Setting the Text and Order for Displaying on the LCD

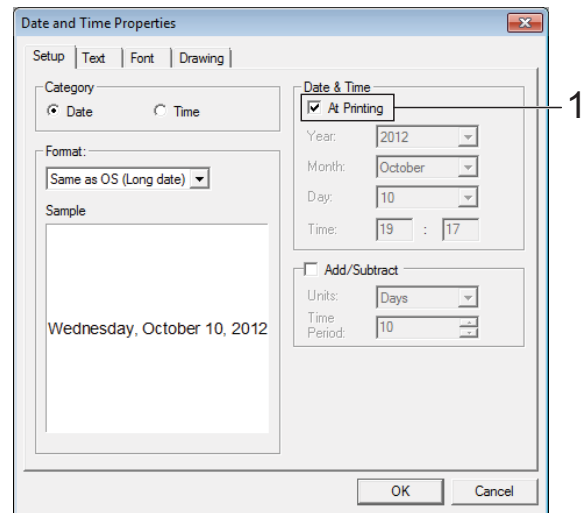
Using P-touch Editor 5.0, the text displayed on the LCD and its display order can be set.

- 1 In P-touch Editor 5.0, open the label layout to be edited.
- 2 Select the text box for text to be displayed on the LCD, right-click it, and then click **[Properties]** to display the **[Text Properties]** dialog box. In the **[Object Name]** box on the **[Expanded]** tab, set the desired number (for example, "Text1", "Text2" or "Text3"). The text will be displayed on the LCD in the order of the set numbers. To set that text not be displayed on the LCD, select the **[Text Cannot Be Edited]** check box on the **[Expanded]** tab.

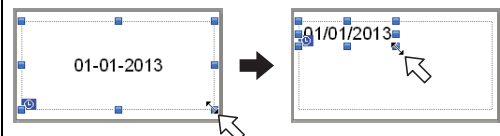


## Inserting the Date and Time in a Label

- 1 In P-touch Editor 5.0, open the label layout to be edited.
- 2 On the menu bar, click **[Insert] - [Date/Time]** to display the **[Date and Time Properties]** dialog box. Select settings for the format of the text to be inserted.



- If the **[At Printing]** check box (1) is selected, the date and time of printing will be inserted. If the check box is cleared, the current date and time will be inserted and will not be updated.
- The date and time inserted into the label will be printed in the printer's built-in character size. Since the character size is determined by the size of the date and time object, adjust the object to the desired size in P-touch Editor 5.0 before transferring the label layout to the printer.



## Linking a Database to a Template

- Label sample

Strawberry	Orange	Apple
\$ 2.85	\$ 1.55	\$ 2.15

A database can be linked to the template that was created. Since the text in the template can be replaced with text from the database, multiple labels can be printed simply by creating a single template.

For details on specifying database settings, see [P-touch Editor Help].

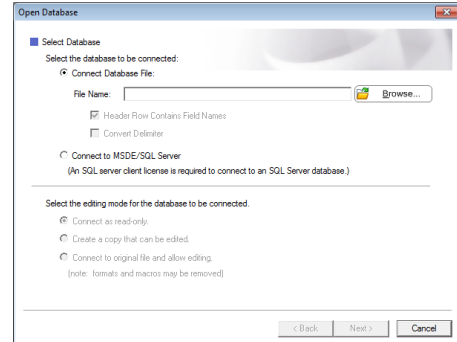
- Prepare a database file in advance.

### NOTE

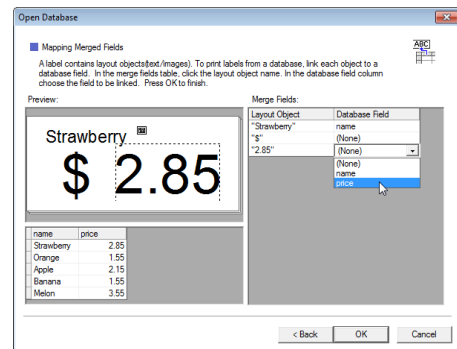
- Files saved as XLS, MDB, CSV and TXT formats can be used as databases.
- In order to use files in the XLSX or ACCDB format, Microsoft® Office 2007, 32-bit Microsoft® Office 2010, 2007 Office System Driver: Data Connectivity Components, or 32-bit 2010 Office System Driver: Data Connectivity Components must be installed.
- Only one database can be linked to a single template. A maximum of 65,000 records can be created in that database. (The total size of templates and databases is limited to 6 MB.)
- The data entered in the database can be displayed on the LCD. Only the first 13 characters can be displayed.

- In P-touch Editor 5.0, open the template to be linked to the database.

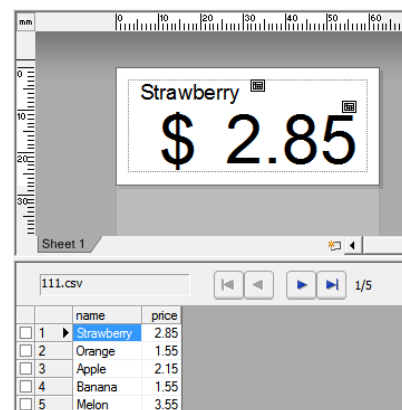
- On the menu bar, click [File] - [Database] - [Connect] to display the [Open Database] dialog box. Select [Connect Database File], click [Browse...], and then select the database to be linked.



- Click [Next] to display a settings dialog box. With [Database Field] under [Merge Fields], specify which database column will be linked to which object, and then click [OK].



- The template and database will link, and the main window appears. Click the database row to be checked in order to display the label with the text replaced.



# Transferring the Label Layout to the Printer

By transferring the created label layout from a computer to the printer, you can easily use the touch panel display to print as many labels as required.

Use P-touch Transfer Manager to transfer data. For details on using it, see the Software User's Guide included on the CD-ROM.

- 1 Connect the printer to the computer with a USB cable, and then turn on the printer.
- 2 In P-touch Editor 5.0, open the label layout to be transferred, and then click **[File] - [Transfer Template] - [Transfer]**.

## NOTE

If the label layout has already been transferred to P-touch Transfer Manager, you can start the application.

- For Windows® XP/Windows Vista®/Windows® 7:

From the Start menu, click **[All Programs] - [Brother P-touch] - [P-touch Tools] - [P-touch Transfer Manager 2.1]**.

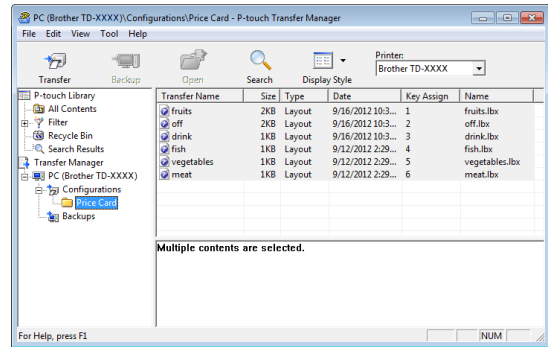
P-touch Transfer Manager starts up.

- For Windows® 8:

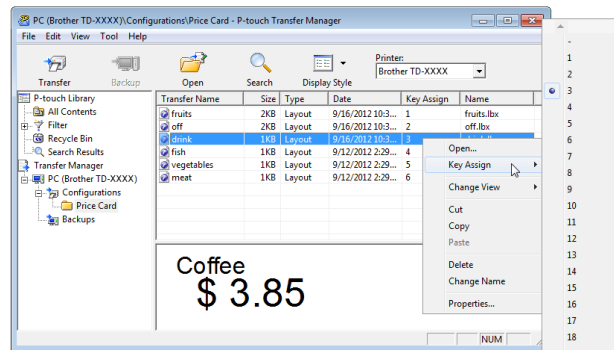
Click **[P-touch Transfer Manager 2.1]** in the **[Start]** or **[Apps]** screen.

P-touch Transfer Manager starts up.

- 3 Select this printer from the **[Printer]** list. Right-click **[Configurations]**, click **[New]**, and then create a new folder with the desired name. (In this example, the folder **[Price Card]** is created.) Click **[Configurations]** or **[All contents]**, and then drag the data to be transferred to the **[Price Card]** folder.



- 4 A key number (registration number of the template to be saved on the printer) is assigned to the file in the **[Price Card]** folder. To change the number, right-click the file, click **[Key Assign]**, and then select the desired number between 1 and 99.



The data registered with keys 1 to 28 (1) of the one-touch panel is determined by the key number.



The data registered with each key in the one-touch panel is determined by the key number. If the one-touch panel will be used, the number must be specified before the data is transferred.

- If templates are assigned to one-touch keys:

Templates with key numbers 1 to 28 are registered with the one-touch key of the same number.

- If databases are assigned to one-touch keys:

When a template with a linked database is selected, databases with numbers 1 to 28 are registered with the one-touch key of the same number.

For details on specifying the data assigned to one-touch keys, see *Selecting the Data Assigned to Keys on the One-Touch Panel* on page 19.



- 5 Select the [**Price Card**] folder, and then click [**Transfer**]. If a confirmation message appears, click [**OK**].  
Transferring begins.

## NOTE

- Up to 99 templates can be registered with this printer.
- There are various methods for transferring multiple templates together to the printer, depending on whether the printer driver is installed. For details, see “Creating Labels” in the Software User’s Guide included on the CD-ROM.
- If a new template is transferred with the same key number as another template already registered on the printer, the new template will overwrite the old one.

## Selecting the Touch Panel

Two touch panels, basic control panel (A) and one-touch panel (B) can be selected for the touch panel display.

If the one-touch panel (B) will be used, the data to be assigned to the one-touch panel keys must be specified. For details on specifying the settings, see *Selecting the Data Assigned to Keys on the One-Touch Panel* on page 19.

- 1 Press [**⚙**] (settings key).
- 2 Press [**▼**], select [**Set Panel**], and then press [**OK**].
- 3 Press [**▲**] or [**▼**], select [**A**] or [**B**], and then press [**OK**].
- 4 Follow the on-screen instructions to replace the touch panel. (For details on replacing it, see *Information About Replacing the Touch Panel* on page 10.)
- 5 Make sure that the specified touch panel name shown in the screen matches the name of the touch panel that is being used, and then press the [**Print**] button.

## Selecting the Data Assigned to Keys on the One-Touch Panel

The type of data assigned to one-touch keys when the one-touch panel is used with the touch panel display can be specified. The type of data can be either templates or databases.

- Sample label layout registered in the printer:

• Template No.1 (fruits.lbx)

Strawberry  
**\$ 2.85**

Database  

No.	Name	Price
1	Strawberry	2.85
2	Orange	1.55
3	Apple	2.15
4	Banana	1.55

• Template No.2 (off.lbx)

Price Down !!  
**10%OFF**

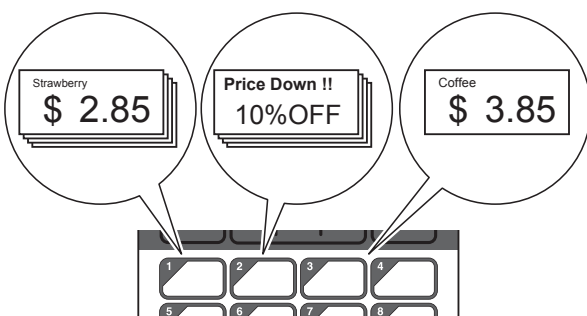
Database  

No.	Price
1	10%
2	15%
3	30%
4	50%

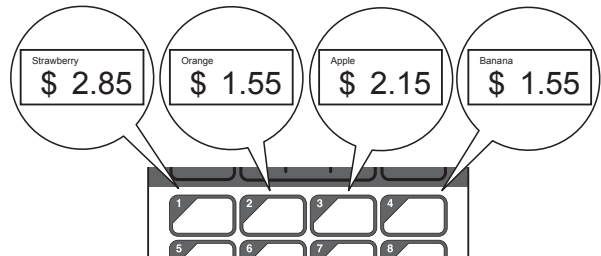
• Template No.3 (drink.lbx)

Coffee  
**\$ 3.85**

- If [Template] was set, starting with template number 1, templates are registered with the one-touch key of the same number.



- If [Database] was set, starting with database number 1, the databases of the selected template are registered with the one-touch key of the same number. (The illustration shows when template number 1 is selected.)



- 1 Press [Admin Key] (admin key).
- 2 Select [Setup], and then press [OK].
- 3 Select [Keys Function], and then press [OK].
- 4 Press [▲] or [▼], select [Template] or [Database], and then press [OK].

## Creating a One-Touch Panel

A one-touch panel can be created using any of the following methods.

- Using stickers or in handwriting, note the names of keys directly on the included one-touch panel.
- The actual panel figure can be found on the last page before the back cover in this manual. This figure can be used by copying it onto plain paper.

Panel size: 132.4 mm (length) × 92.3 mm (width) (5.213" (length) × 3.634" (width))

- A panel format can be downloaded from the following website.

<http://support.brother.com/>

**[Select your region/country]** - Choose your product - **[Downloads]**

This can be used by typing in the key names, then printing out the data on plain paper.

## Printing the Label

A label layout transferred to the printer can easily be printed or edited using the touch panel display, without a computer connection.

### Printing Using the Basic Control Panel

- 1 Turn on the printer. The main screen appears.



- 2 Press [▲] or [▼] to select the number of the template to be printed, or press the number keys to type in the number, and then press [OK]. Press [Q] (search key) to display the template details in the screen.

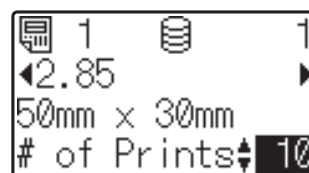


- 1 Template number
- 2 Text in template
- 3 Paper size
- 4 Database record number (only if a database is linked)

#### NOTE

- All text in the template can be checked by pressing [◀] or [▶].
- The text displayed on the LCD and its display order are set by using P-touch Editor 5.0. For details, see *Setting the Text and Order for Displaying on the LCD* on page 16.

- 3 If a database is linked: Press [▲] or [▼] to select the number of the database record to be printed, or press the number keys to type in the number, and then press [OK].
- 4 Press the [Print] button. A message to confirm the number of copies appears.



- 5 Type in the number of copies to be printed, and then press the [Print] button or [OK]. The labels are printed.

#### NOTE

- The number of copies to be printed can be set between 1 and 999.
- If the template contains a serialized number, the labels will be printed with the serialized field incremented by the specified number of times.
- If [Confirm Print] is set to [Off], printing begins when the [Print] button is pressed in step 4.

### Editing Label Contents Before Printing

To change the contents of a template that has already been transferred to the printer, the touch panel display can be used to directly edit the data. This saves you the trouble of editing the data from the computer and transferring it to the printer.

#### NOTE

- Only numbers can be edited.
- Edited template cannot be saved. When a different template or database is selected, the edited data reverts to the original data.



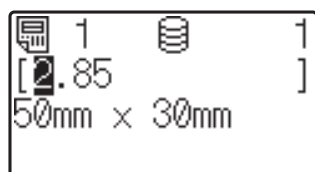
Use the basic control panel to edit data.

- 1 In the main screen, select the template to be edited, and then press [Q] (search key).


If the contents of a database record is to be edited, select the appropriate database record.

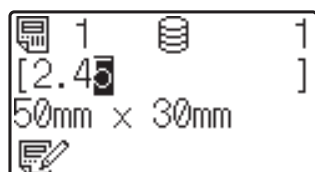
- 2 Press [◀] or [▶] to display the item to be edited, and then press [OK].

Editing mode is entered, and the editable number is highlighted.



- 3 Press [◀] or [▶] to highlight the number to be edited. Press the number key of the new number to overwrite the old number. (In this example, [2.85] will be changed to [2.45]. Press [▶] to highlight [8], and then press [4] on the number keys.)

 appears in the lower-left corner of the screen to indicate that the template was edited.

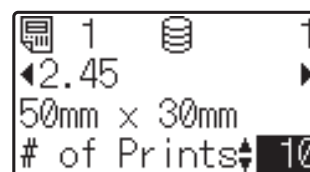


## NOTE

- To return the currently displayed item to its original number, press [Esc] to exit the editing mode.
- Holding down [Esc] for at least 1 second returns the currently displayed item to its original number and returns to the main screen. If any other item has been edited,

 appears.

- 4 Press [OK] to apply the edited text, and then press the [Print] button. A message to confirm the number of copies appears.



- 5 Type in the number of copies to be printed, and then press the [Print] button or [OK]. The labels are printed.

## Searching for Records in a Database Linked to a Template

After a template with a linked database is transferred to the printer, you can search for a record in the database by pressing [Q] (search key) on the basic control panel.

To select whether to search for database records by their line number or by their data, press [Admin] (admin key) on the basic control panel, and then select the desired setting for [Cont From Last].

- **By Line#:** Select this setting to search for database records by their line number.
- **By Data:** Select this setting to search for database records by their data (only numbers up to 13 digits) entered into the first data field (ex: Column A).

## NOTE


This function is available with firmware version 1.04 or later.

The newest version can be downloaded from the support website (Brother Solutions Center).

<http://support.brother.com/>

## Printing Using the One-Touch Panel

If a label layout has been assigned to a key on the one-touch panel, a label can easily be printed simply by pressing the key of the corresponding label.

	The data registered with each one-touch key, is determined by the database number or the key number when the data was transferred from the computer to the printer. For details, see <i>Transferring the Label Layout to the Printer</i> on page 18.
---	--

- 1 Turn on the printer. The main screen appears.




- 2 If databases are assigned to one-touch keys: Press [▲] or [▼] to select a template.
- 3 Press the one-touch key for the label to be printed. The label details appear in the screen.



- 1 **Template number**
- 2 **Text in label layout**
- 3 **Paper size**
- 4 **Database record number (only if a database is linked)**
- 5 **Number of prints**

## NOTE

- Press [◀] or [▶] to check all of the text in the label layout. If the one-touch panel (B) is being used, the data cannot be edited. Use the basic control panel (A) to edit the data. For details, see *Editing Label Contents Before Printing* on page 21.
- The text displayed on the LCD and its display order are set by using P-touch Editor 5.0. For details, see *Setting the Text and Order for Displaying on the LCD* on page 16.

- 4 With [▲] or [▼], type in the number of copies to be printed, and then press the  (Print) button or [OK]. The labels are printed.

## NOTE

- The number of copies to be printed can be set between 1 and 999.
- If the template contains a serialized number, the labels will be printed with the serialized field incremented by the specified number of times.
- If [Confirm Print] is set to [Off], printing begins when the one-touch key is pressed in step 3.


### If a Template With a Linked Database Is Registered with a One-Touch Key

If you register a template with a linked database to a one-touch key, the displayed contents are for the database record corresponding to the number of times that you press the key. For example, with a template that has 3 database records, pressing the one-touch key once will display the contents of the first database record. Pressing it twice displays the contents of the second record, and pressing it three times will display the contents of the third record. Pressing the key four times will return to displaying the contents of the first database record.

- 1 Press the one-touch key for the label to be printed until the contents of the desired database record appears.



- With [▲] or [▼], type in the number of copies to be printed, and then press the [Print] button or [OK]. The labels are printed.

	If a template with a linked database is assigned to a one-touch key, be sure that [Confirm Print] is set to [On]. If [Off] is selected, only the first database can be selected.
---	--

## NOTE

- The number of copies to be printed can be set between 1 and 999.
- If the template contains a serialized number, the labels will be printed with the serialized field incremented by the specified number of times.

## Printing a Different Date/Time Than the Printer's Internal Clock

The date/time can be temporarily changed before printing. When the following screen is displayed immediately before printing begins, press [Settings] (settings key) to display a screen where the date/time can be directly entered. Printing can be continued after the date/time is entered.



In addition, by pressing [Admin] (admin key), then setting [Set Temp Time] to [Cont From Last], the date/time that was directly entered will be printed until the printer is turned off.

## NOTE

- If settings have been specified to add/subtract a period of time to the date/time in a template, the specified time period will be added to (or subtracted from) the directly entered date/time.

- This function is available with firmware version 1.04 or later.

The newest version can be downloaded from the support website (Brother Solutions Center).

<http://support.brother.com/>

## Label Layouts on the Printer (Checking, Deleting and Log)

With the following procedures, label layouts on the printer can be checked or deleted, or their print log can be viewed.

### Checking the Contents of a Label Layout

To display template details in the screen and check the contents, press [Q] (search key) on the touch panel display. For details, see *Printing Using the Basic Control Panel* on page 21.

### Deleting a Label Layout

[Device settings] in “Printer Setting Tool” can be used to delete a label layout from the printer. On the menu bar, click [Tools] - [Delete Template and Database] to delete a template or database registered on the printer. For details, see the User’s Guide included on the CD-ROM.

To check the label layouts on the printer and select the data to be deleted, connect the printer to a computer and use P-touch Transfer Manager. For details, see the Software User’s Guide included on the CD-ROM.

### Checking the Print Log for Label Layouts

[Device settings] in “Printer Setting Tool” can be used to check the print log. If [Save Printer Print Log] on the [Advanced] tab is set to [Enable], a print log will be saved on the printer. To export the print log and save it as a .csv file, click [Tools] - [Save Print Log in File]. For details, see the User’s Guide included on the CD-ROM.

## Frequently Asked Questions

**Q.** How much memory is available?

**A.** The printer has 6 MB of built-in memory available, allowing a maximum of 99 templates to be saved. When there is no more of the built-in memory available or when 99 templates have been registered, templates can no longer be transferred to (be registered with) the printer. Delete unnecessary templates from the printer.

**Q.** Why does the file size change when a template is transferred to the printer?

**A.** Since the format of a template file added to P-touch Transfer Manager 2.1 is different from the format of a file after it has been transferred to the printer, the file size changes.

**Q.** How can I check the number of templates that can be registered on the printer and the key numbers that are being used?

**A.** Follow the procedure below to check the information:

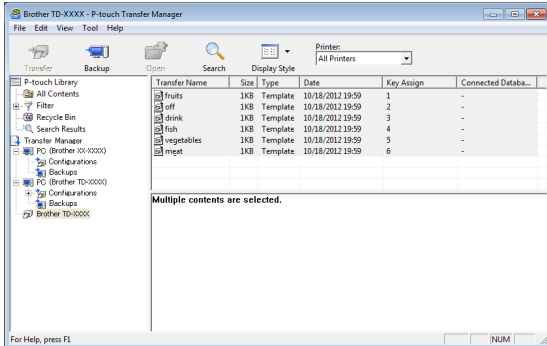
- 1 Connect the printer to the computer with a USB cable, and then turn on the printer.
- 2 For Windows® XP/Windows Vista®/Windows® 7:

From the Start menu, click [All Programs] - [Brother P-touch] - [P-touch Tools] - [P-touch Transfer Manager 2.1].

For Windows® 8:

Click [P-touch Transfer Manager 2.1] in the [Start] or [Apps] screen.

- Click “Brother TD-XXXX” (where “TD-XXXX” is the model name of your printer) in the pane on the left side to display the templates registered with the printer in the pane on the right side. The number of templates and the key numbers that are being used can be checked.



## Product Specifications

Size: Approximately 111 mm (W) × 170 mm (D) × 78 mm (H) (4.37" (W) × 6.70" (D) × 3.07" (H))

Weight: 0.342 kg (0.76 lb)

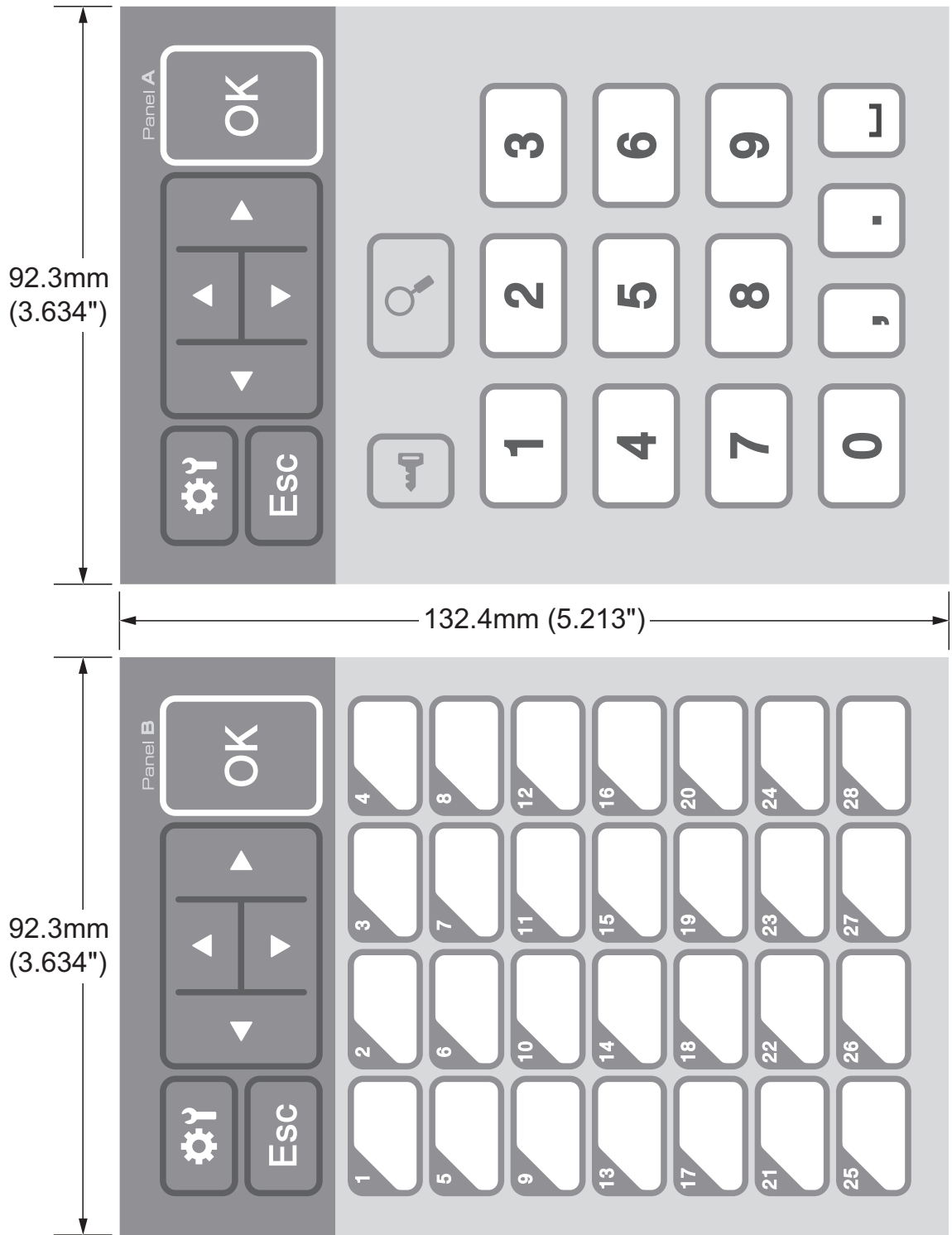
**Q.** Why can't a template be transferred to the printer (it was transferred, but the date was not automatically updated)?

**A.** The printer driver may not be correctly installed. Re-install the printer driver, and then try transferring again.

If the date was not updated, check that the [**At Printing**] check box is selected in the [**Date and Time Properties**] dialog box for the template.

For details, see *Inserting the Date and Time in a Label* on page 16.

# Panel Figure (Actual Size)



**brother**



LBE166001